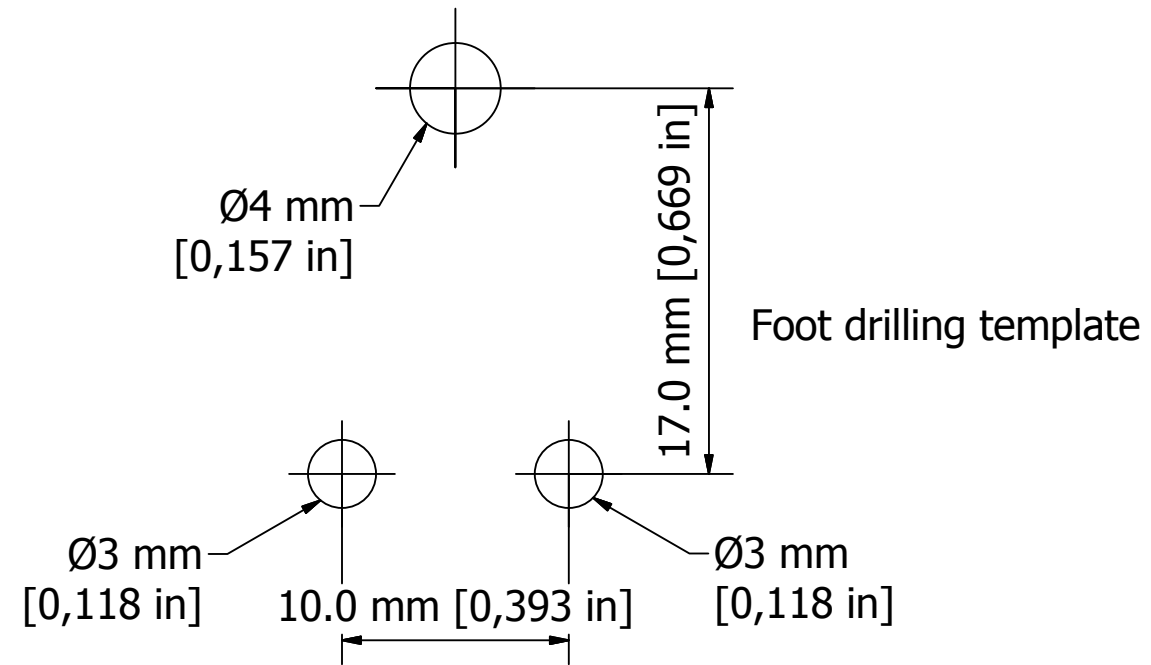
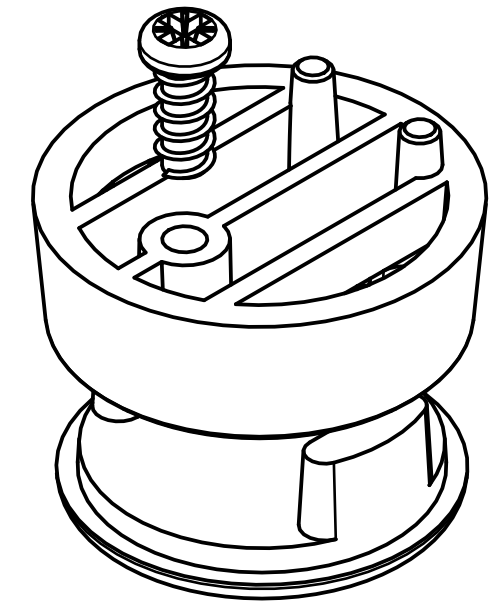
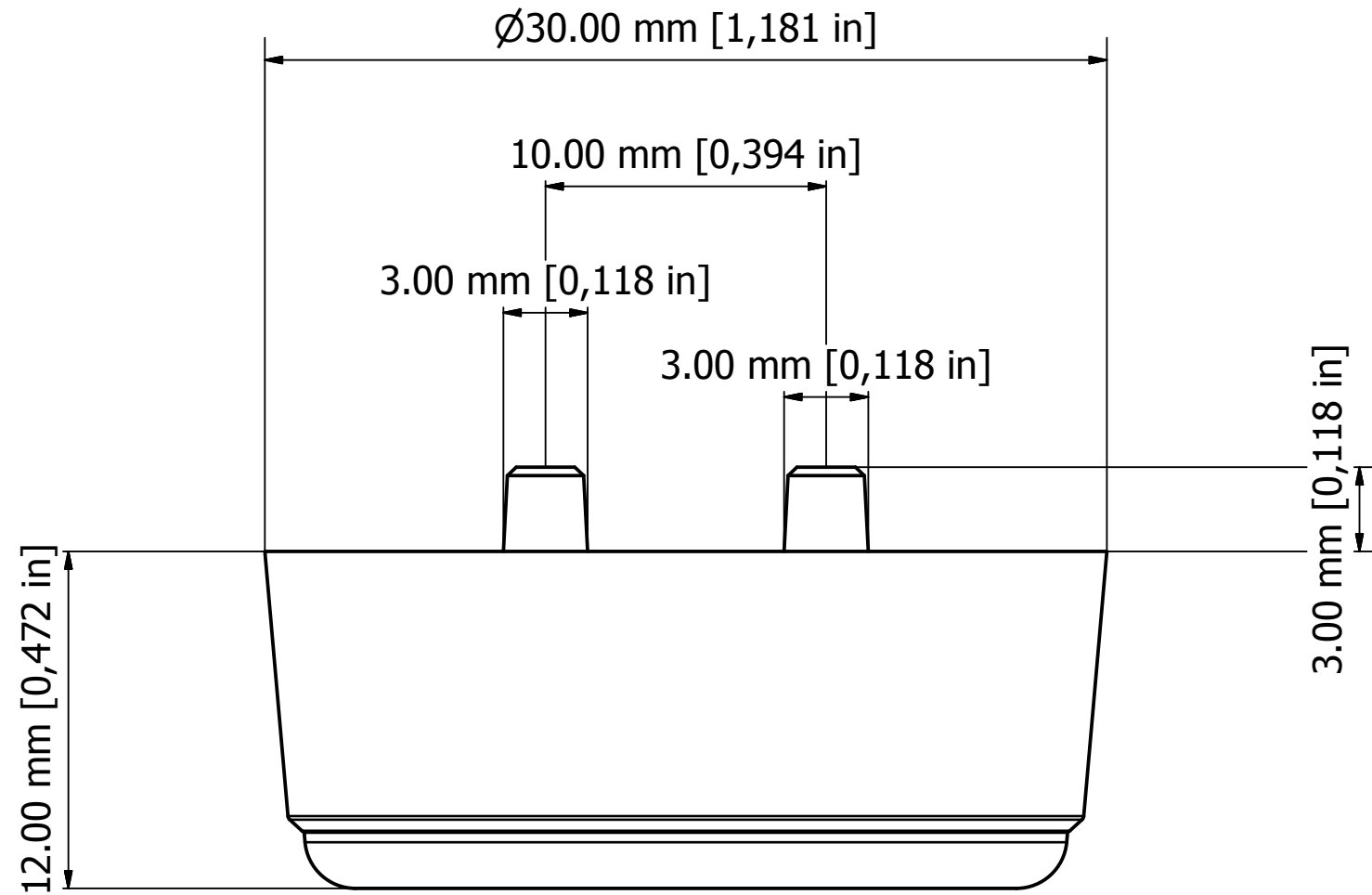


Front/Rear Feet (Qty: 4)

Kit Part Numbers	Colours
M6420104	RAL 7016, Anthracite
M6420105	RAL 7035, Light Grey
M6420109	RAL 9005, Black



FIRST ANGLE PROJECTION

Designed by L Clark	Description Technofeet Kit 1	Date 15/02/2016	Scale 4:1
METCASE ENCLOSURES 15 Brunel Way, Segensworth East, Fareham, Hampshire, PO15 5TX, UK. Tel: +44 (0)1489 583858 Email: metcase@okw.co.uk		METcase™ www.metcase.com Part Number M642010X	
		Issue 1	Sheet 1 / 1

© OKW Enclosures Ltd (Date as shown). This drawing contains proprietary information of OKW Enclosures Ltd and is tendered subject to the following conditions. The information be retained in confidence, not be reproduced or copied, and not be used or incorporated in any product, unless permission is obtained in writing from OKW Enclosures Ltd.