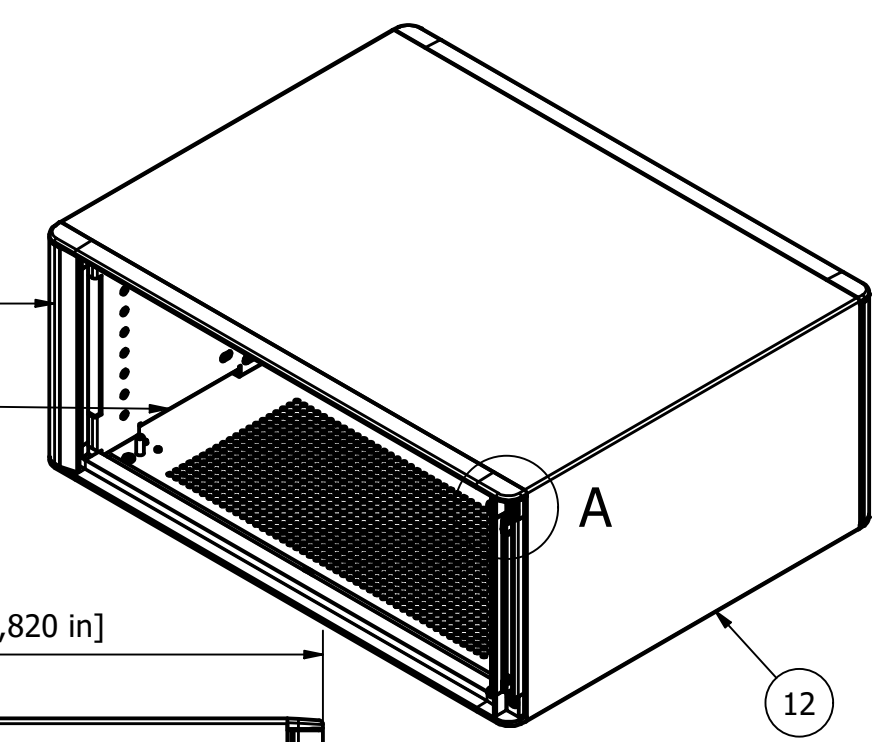
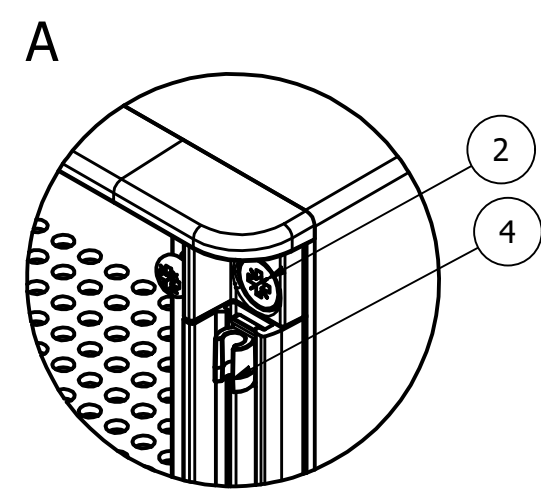


PARTS LIST			
ITEM	QTY	PART NUMBER	DESCRIPTION
1	8	M3x8mm Pan	Rear/Front Panel Screws
2	8	M4x16mm CSK	Bezel Assembly Screws
3	8	M3x6mm CSK	Base Panel Screws
4	8	M6420000	Clips for Trims
5	2	M6420204 flat	Rear Non-Tilt Feet
6	2	M6420204 tilt	Front Tilt Feet
7	1	M6403385	Base/Internal Sides Sub-Assy
8	1	M6403485	Rear Panel - 1.5 mm thick
9	2	M6401085	Front/Rear Bezel
10	2	M6400057	Front Trim
11	2	M6400077	Rear Trim
12	1	M6402009	Wrap Around Cover

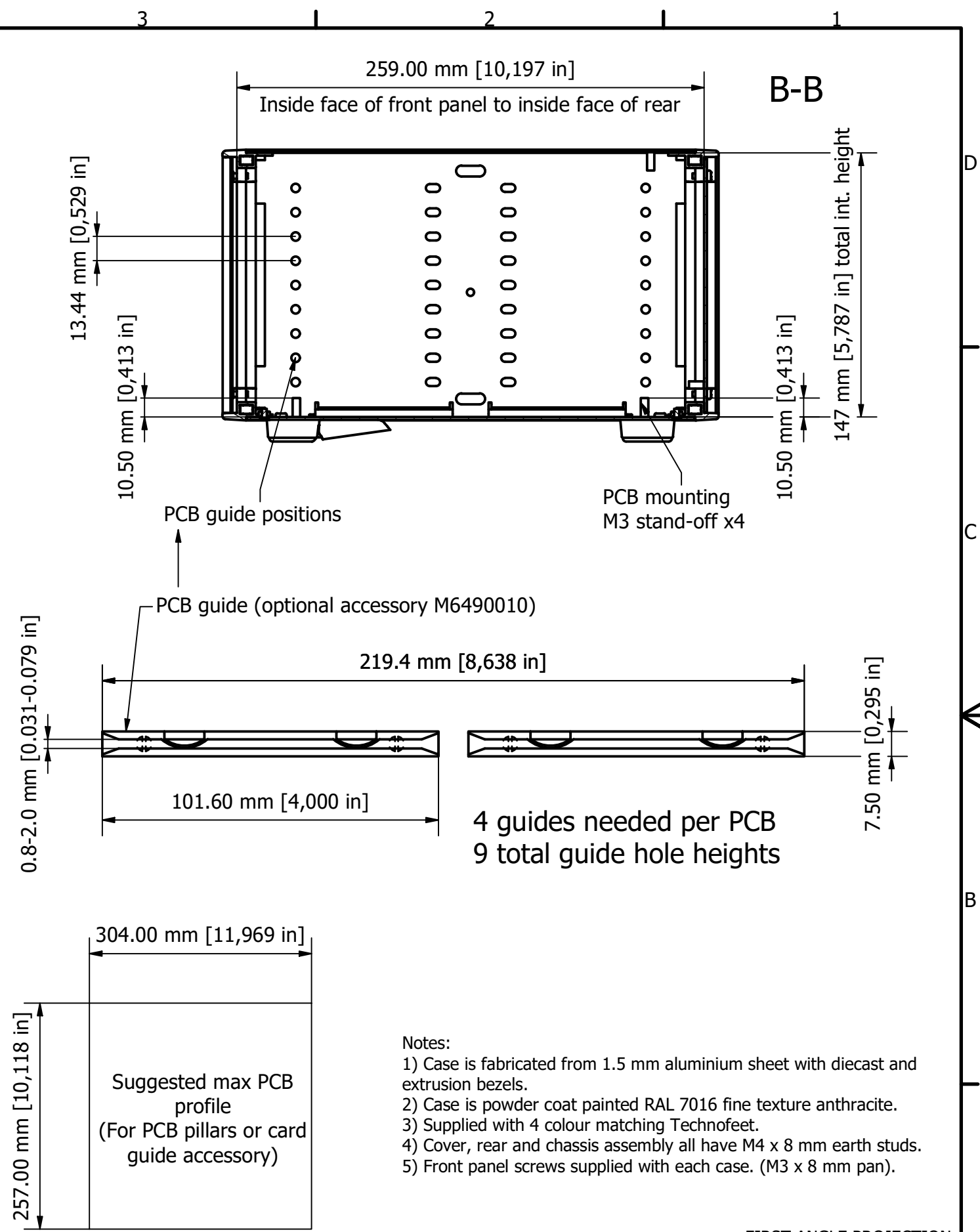
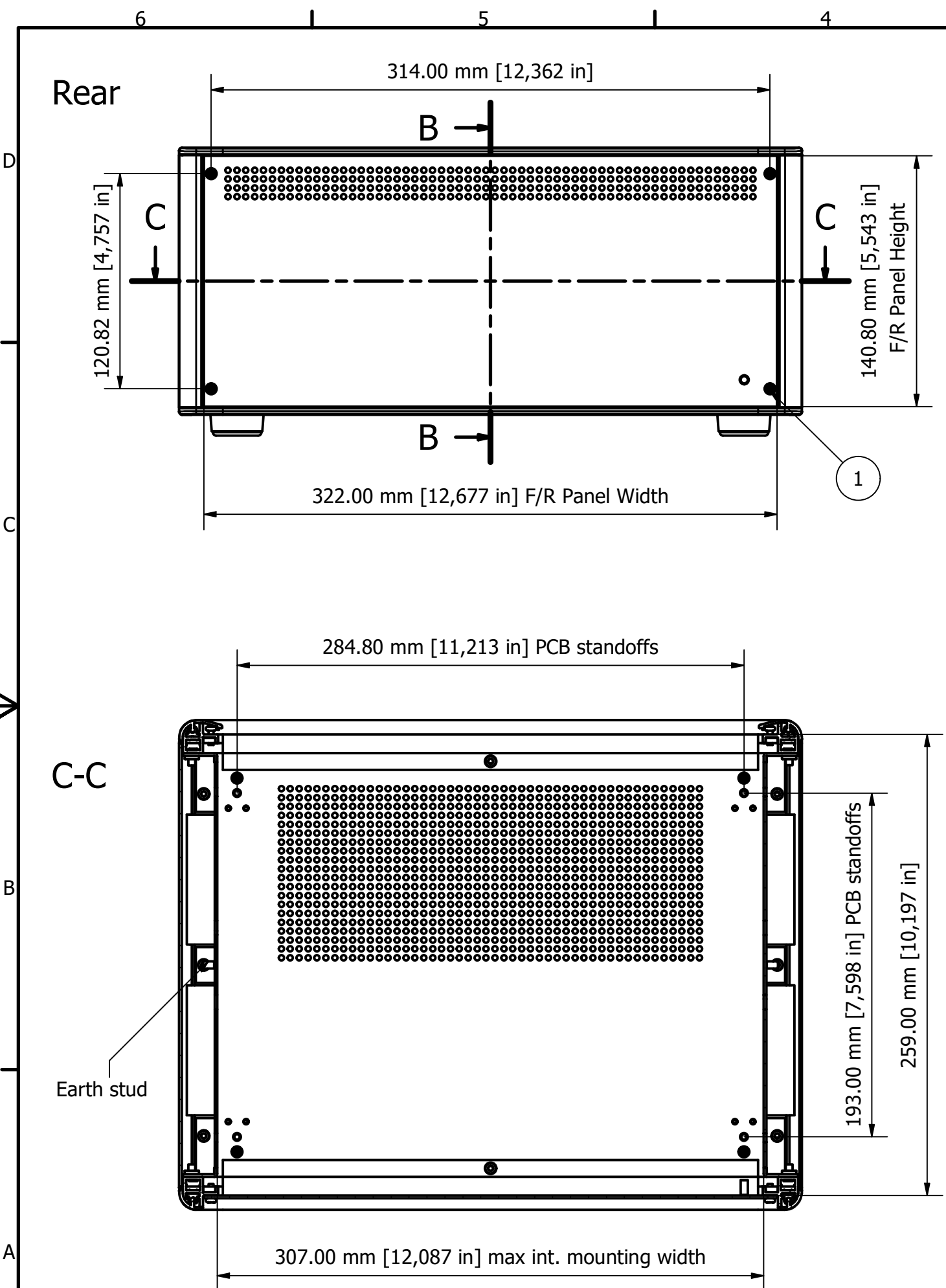


Front panel (M6400707) sold seperately

© OKW Enclosures Ltd (Date as shown). This drawing contains proprietary information of OKW Enclosures Ltd and is tendered subject to the following conditions. The information be retained in confidence, not be reproduced or copied, and not be used or incorporated in any product, unless permission is obtained in writing from OKW Enclosures Ltd.

Designed by L Clark	Description Technomet R315 - Anthracite RAL 7016	Date 29/04/2024	Scale 1:2.75
METCASE ENCLOSURES 15 Brunel Way, Segensworth East, Fareham, Hampshire, PO15 5TX, UK. Tel: +44 (0)1489 583858 Email: sales@metcase.co.uk		METcase™ www.metcase.com Part Number M6435324	
		Issue 1	Sheet 1 / 2

FIRST ANGLE PROJECTION



- Notes:
- 1) Case is fabricated from 1.5 mm aluminium sheet with diecast and extrusion bezels.
 - 2) Case is powder coat painted RAL 7016 fine texture anthracite.
 - 3) Supplied with 4 colour matching Technofeet.
 - 4) Cover, rear and chassis assembly all have M4 x 8 mm earth studs.
 - 5) Front panel screws supplied with each case. (M3 x 8 mm pan).

FIRST ANGLE PROJECTION

Designed by L Clark	Description Technomet R315 - Anthracite RAL 7016	Date 29/04/2024	Scale 1:2.75
METCASE ENCLOSURES 15 Brunel Way, Segensworth East, Fareham, Hampshire, PO15 5TX, UK. Tel: +44 (0)1489 583858 Email: sales@metcase.co.uk		METcase™ www.metcase.com Part Number M6435324	
		Issue 1	Sheet 2 / 2

© OKW Enclosures Ltd (Date as shown). This drawing contains proprietary information of OKW Enclosures Ltd and is tendered subject to the following conditions. The information be retained in confidence, not be reproduced or copied, and not be used or incorporated in any product, unless permission is obtained in writing from OKW Enclosures Ltd.