

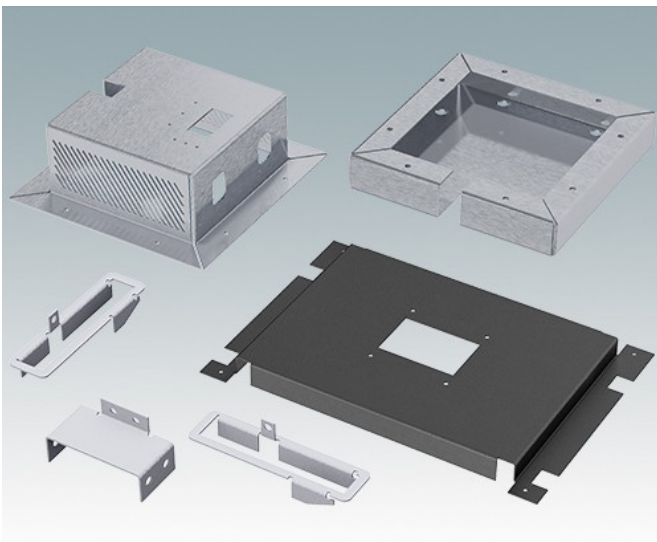
## Fabricated parts to your design

We can manufacture any fabricated sheet metalwork to your design specifications and drawings. We can work with sheet aluminum, steel and Zintec materials. Our state-of-the-art manufacturing site ensures the highest quality standards are maintained.

### Our facilities:

- CNC punching machines
- CNC break press folding machines
- CNC milling
- Drilling, tapping and sawing machines
- Automated inserting machines
- Linishing machines
- Full powder paint line
- Large wet paint cubicle
- A2 full color CMYK digital printer.

Use the [contact form](#) to attach your drawings for quotation, or call our sales team on (800) 965-9872 if you need more information.



Subject to technical modification without notice. © OKW Enclosures Ltd