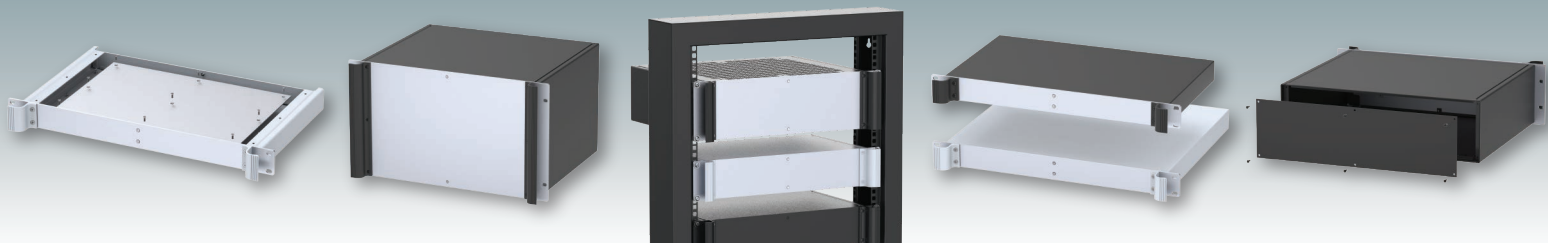
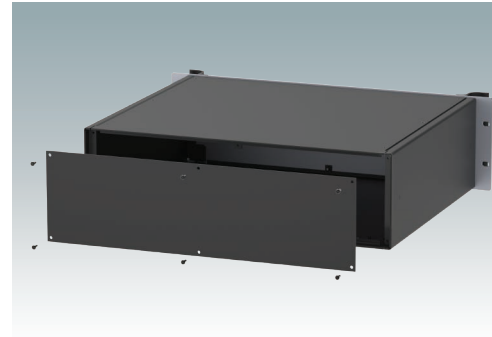
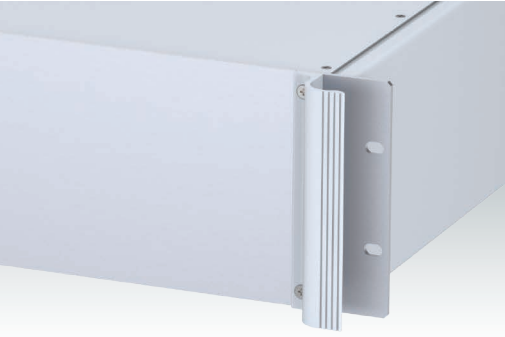
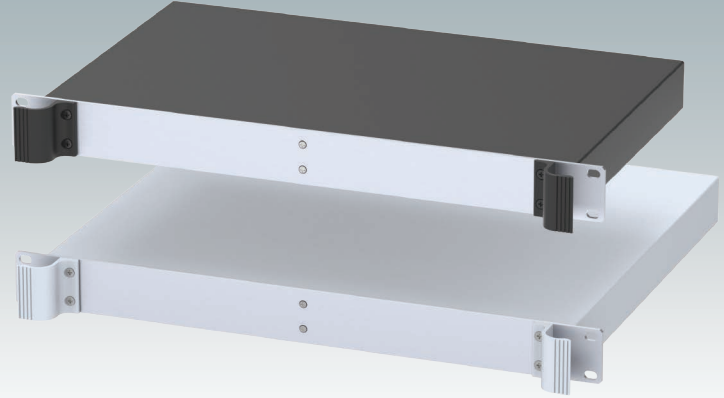


COMBIMET 19"

Rack Mount Enclosures
DIN 41494 | IEC 60297-3



COMBIMET 19"



COMBIMET 19" Rack Mount Enclosures

Versatile 19 inch rack mount cases in 1U to 6U sizes. Conforms to DIN 41494 and IEC 60297-3. Very modern design incorporating ergonomic front panel handles. Robust aluminum case body with removable top, base and rear panels. Top and base panels vented or unvented. 19" front panel in anodized aluminum. Mounting holes in base for PCBs and chassis. M4 earth studs on all components for electrical continuity. Order your own fully customized version.

Standard colors

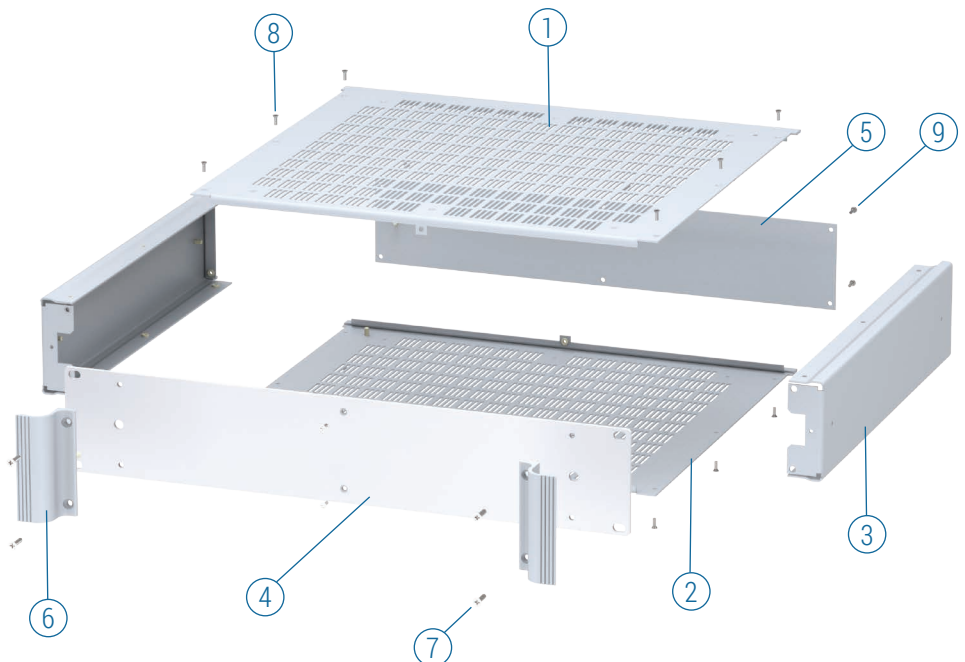
Light gray RAL 7035.
Black RAL 9005.



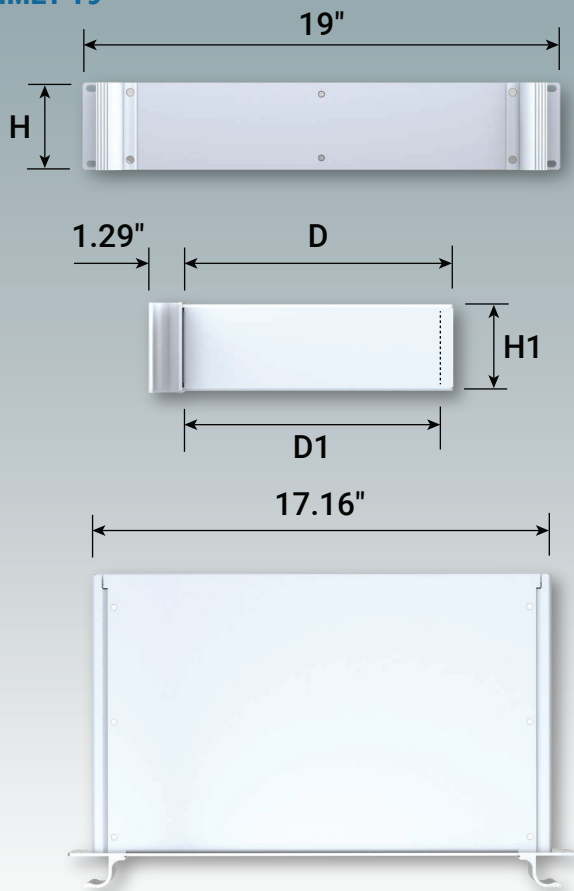
Supply

- ① Top cover**
- ② Base panel**
- ③ Side panels
- ④ 19" front panel
- ⑤ Rear panel
- ⑥ Handles
- ⑦ M4 x 16 mm (x4/6)
- ⑧ M3 x 8 mm (x14/22)
- ⑨ M3 x 8 mm (x6)

**unvented or vented



COMBIMET 19"



NON-VENTILATED CASES

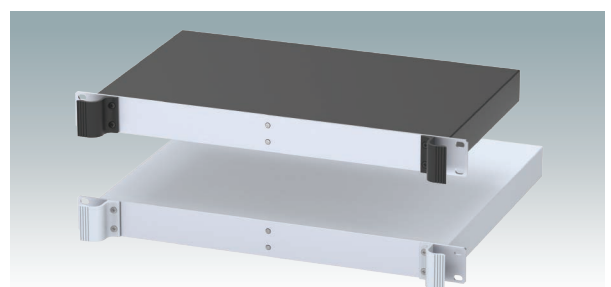
Part No.	Part No.	H	D	H1	D1
RAL 9005 ●	RAL 7035 ○				
M 62 19 139	M 62 19 135	1U	10.43"	1.58"	9.96"
M 62 19 159	M 62 19 155	1U	14.37"	1.58"	13.89"
M 62 19 239	M 62 19 235	2U	10.43"	3.33"	9.96"
M 62 19 259	M 62 19 255	2U	14.37"	3.33"	13.89"
M 62 19 339	M 62 19 335	3U	10.43"	5.08"	9.96"
M 62 19 359	M 62 19 355	3U	14.37"	5.08"	13.89"
M 62 19 439	M 62 19 435	4U	10.43"	6.83"	9.96"
M 62 19 459	M 62 19 455	4U	14.37"	6.83"	13.89"
M 62 19 539	M 62 19 535	5U	10.43"	8.58"	9.96"
M 62 19 559	M 62 19 555	5U	14.37"	8.58"	13.89"
M 62 19 639	M 62 19 635	6U	10.43"	10.33"	9.96"
M 62 19 659	M 62 19 655	6U	14.37"	10.33"	13.89"

VENTILATED CASES

Part No.	Part No.	H	D	H1	D1
RAL 9005 ●	RAL 7035 ○				
M 62 19 149	M 62 19 145	1U	10.43"	1.58"	9.96"
M 62 19 169	M 62 19 165	1U	14.37"	1.58"	13.89"
M 62 19 249	M 62 19 245	2U	10.43"	3.33"	9.96"
M 62 19 269	M 62 19 265	2U	14.37"	3.33"	13.89"
M 62 19 349	M 62 19 345	3U	10.43"	5.08"	9.96"
M 62 19 369	M 62 19 365	3U	14.37"	5.08"	13.89"
M 62 19 449	M 62 19 445	4U	10.43"	6.83"	9.96"
M 62 19 469	M 62 19 465	4U	14.37"	6.83"	13.89"
M 62 19 549	M 62 19 545	5U	10.43"	8.58"	9.96"
M 62 19 569	M 62 19 565	5U	14.37"	8.58"	13.89"
M 62 19 649	M 62 19 645	6U	10.43"	10.33"	9.96"
M 62 19 669	M 62 19 665	6U	14.37"	10.33"	13.89"

NON-VENTILATED, SOLID TOP PANEL CASES

Part No.	Part No.	H	D	H1	D1
RAL 9005 ●	RAL 7035 ○				
M 62 19 119	M 62 19 115	1U	10.43"	1.58"	9.96"
M 62 19 129	M 62 19 125	1U	14.37"	1.58"	13.89"



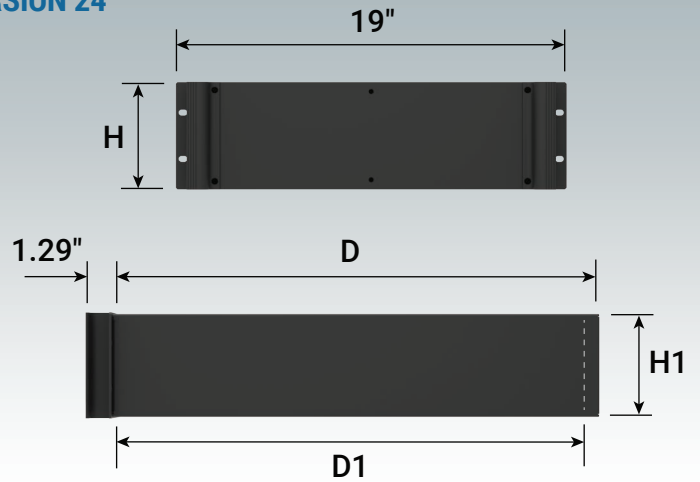
For full 2D drawings and 3D models please see our website.

COMBIMET 19"



Front panel painted black, RAL 9005

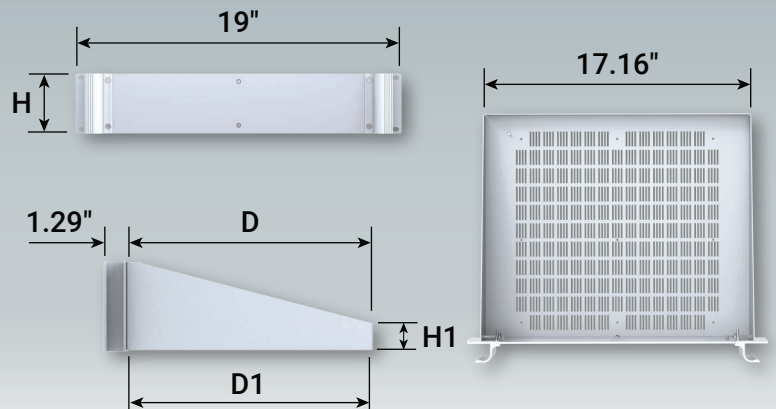
VERSION 24"



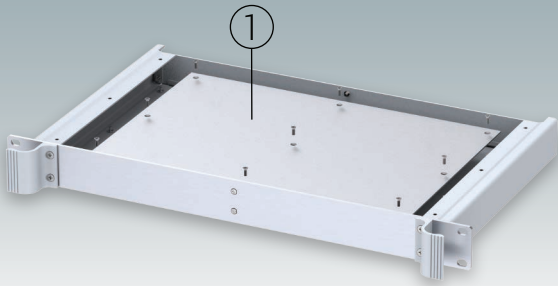
Part No.	Ventilated	H	D	H1	D1	Case width
RAL 9005 ●						
M 62 19 179		1U	24"	1.58"	23.53"	17.16"
M 62 19 189	●	1U	24"	1.58"	23.53"	17.16"
M 62 19 279		2U	24"	3.33"	23.53"	17.16"
M 62 19 289	●	2U	24"	3.33"	23.53"	17.16"
M 62 19 379		3U	24"	5.08"	23.53"	17.16"
M 62 19 389	●	3U	24"	5.08"	23.53"	17.16"
M 62 19 479		4U	24"	6.83"	23.53"	17.16"
M 62 19 489	●	4U	24"	6.83"	23.53"	17.16"
M 62 19 579		5U	24"	8.58"	23.53"	17.16"
M 62 19 589	●	5U	24"	8.58"	23.53"	17.16"
M 62 19 679		6U	24"	10.33"	23.53"	17.16"
M 62 19 689	●	6U	24"	10.33"	23.53"	17.16"



VERSION T



Part No.	Part No.	H	D	H1	D1
RAL 9005 ●	RAL 7035 ○				
M 61 19 239	M 61 19 235	2U	14.37"	1.57"	14.31"
M 61 19 339	M 61 19 335	3U	14.37"	1.57"	14.31"

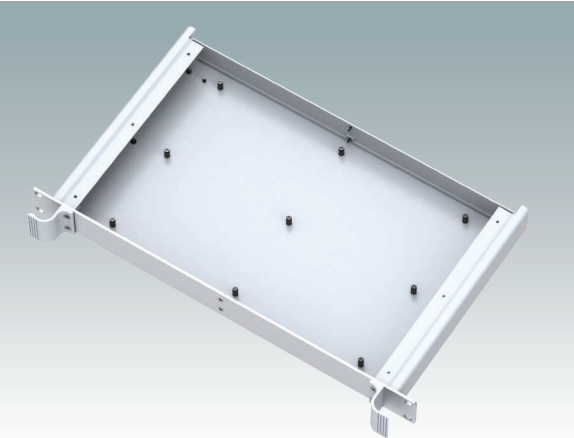


Mounting Plate Kit

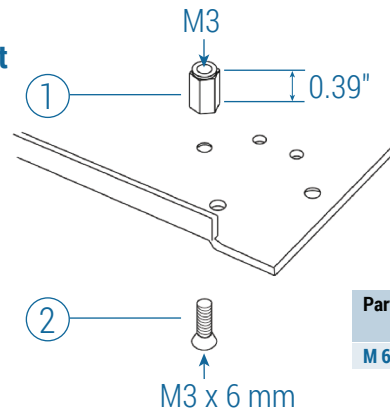
Material: 0.06" aluminum
Finish: natural



Part No.	Supply	For case depth (D)	Width	Depth
M 62 00 265	①, ② x 9, ③ x 18	10.43"	13.19"	9.05"
M 62 00 365	①, ② x 9, ③ x 18	14.37"	13.19"	12.99"



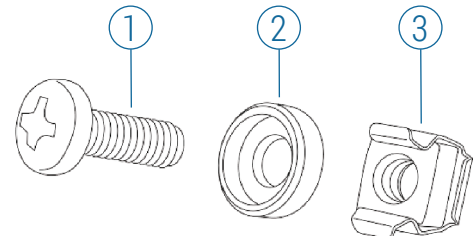
PCB Mounting Kit



Part No.	Supply
M 62 00 265	①+② x 10

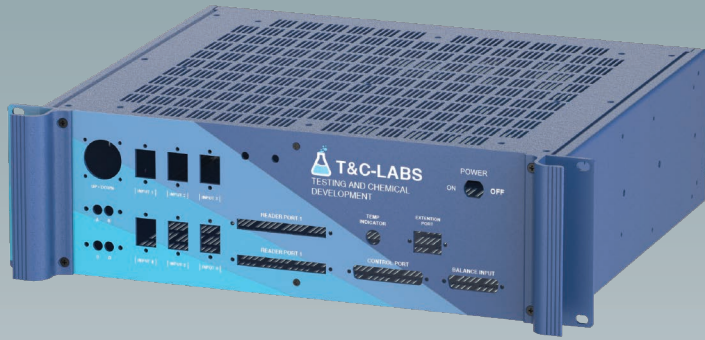


19" Mounting Kit



Part No.	Supply	Colors
M 60 00 035	①+②+③ x 4	○ RAL 7035 ②
M 59 00 016	①+②+③ x 4	● RAL 9005 ②
M 59 00 018	①+②+③ x 4	● RAL 9005 ①②

COMBIMET 19" | CUSTOMIZED VERSIONS



Order your own customized version

We can supply the COMBIMET 19" enclosures fully customized to your individual technical specifications.

All external dimensions – height, width and depth – can be modified to ensure your PCB assemblies and equipment will fit exactly.

The enclosures and front panels can be machined with holes and cutouts for fitting displays, keypads, HMI touch panels, control buttons and connections.

Other services include adding inserts and screw bosses; custom colors and finishes; digital and silk-screen printing, and engraving.

Having a flexible manufacturing system allows us to offer competitive prices even for small quantities. Do not hesitate to ask us for a quotation.

Our sales team will be very happy to discuss your requirements and help you specify your COMBIMET 19" enclosures exactly as you need them.



METcase™

MANUFACTURER

Metcase Enclosures
A division of:
OKW Enclosures Ltd.
15 Brunel Way
Segensworth East
Fareham, Hampshire
PO15 5TX
United Kingdom

Telephone: +44 (0) 1489 583858
Email: sales@metcase.co.uk
Website: www.metcase.co.uk

© OKW Enclosures Ltd. All rights reserved
Catalogue Edition 1 – May 2024.
This catalogue will be valid until 31/12/2027.
Subject to technical modifications without notice.
Typographical and other errors do not justify any
claim for damages.
Digital Version: 05/2024e

Presented by:



OKW Enclosures, Inc.
3000 Old Pond Road,
Bridgeville, PA 15017
Phone: (412) 220 9244
Toll Free: (800) 965 9872
Email: sales@metcaseusa.com

www.metcaseusa.com