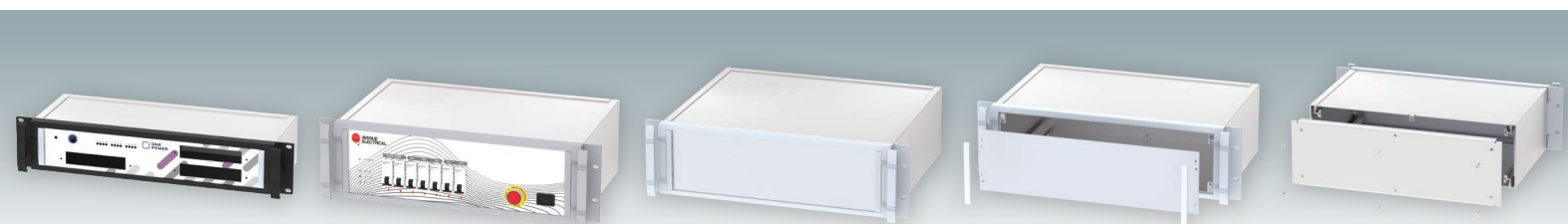




METTEC 19"

Rack Mount Enclosures
DIN 41494 | IEC 60297-3



METTEC 19"



19" rack mount enclosures with removable front panel

Exclusive range of 19" rack cases in aluminum. Conforms to DIN 41494 and IEC 60297-3. Heights: 2U and 3U in three standard depths. Attractive diecast front bezel incorporating unique 'comfort-handles' and rack mounting ears. Robust case body assembly includes flat top and base panels, two side extrusions and the rear panel. Internal guide rails for PCBs and chassis plates. Front panel (accessory) recessed in bezel for locating keypads or labels. Order your own fully customized version.

Standard colors

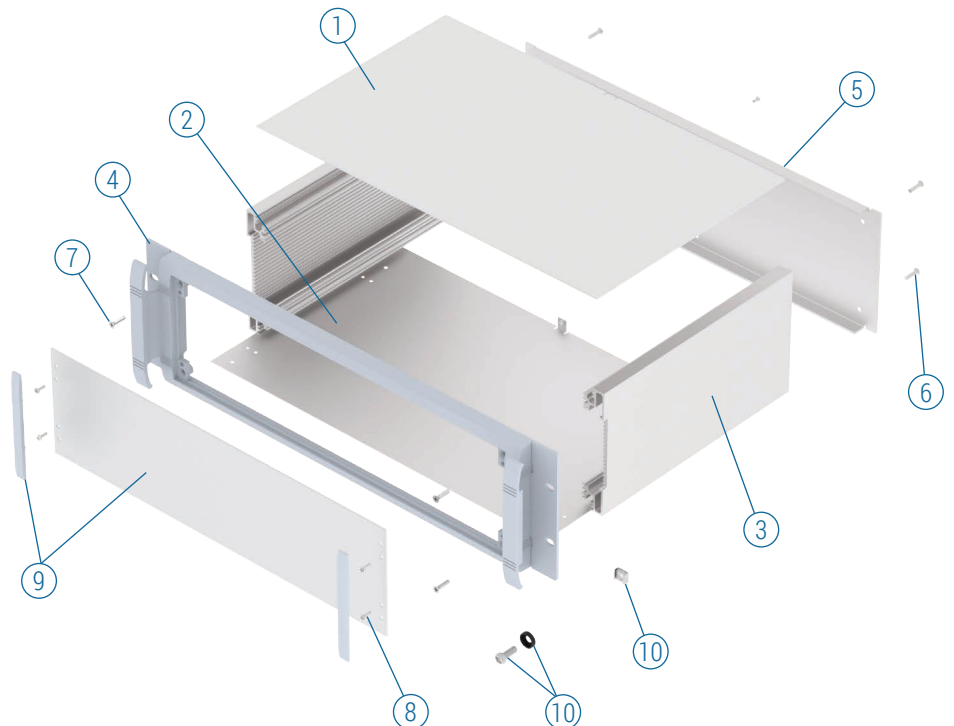
Light gray RAL 7035 (19" front bezel)
Iridite NCP (enclosure)



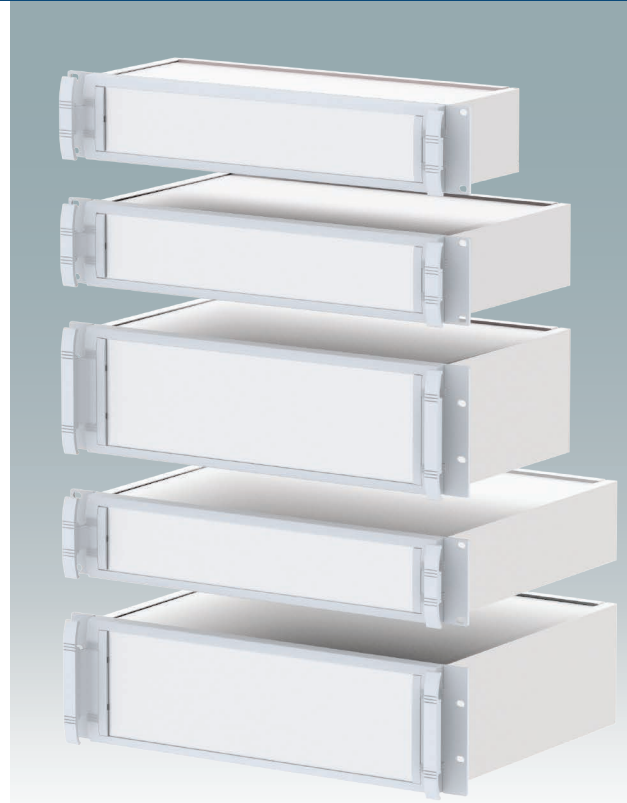
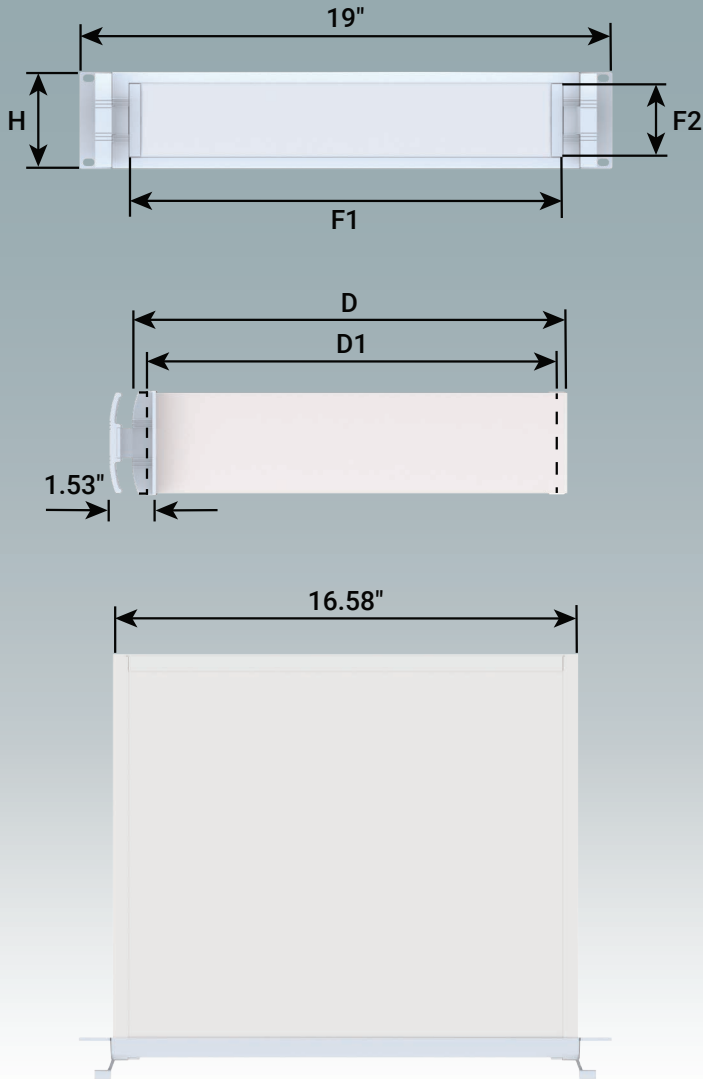
Supply

- ① Top cover
- ② Base panel
- ③ Side extrusion (x2)
- ④ 19" front bezel
- ⑤ Rear panel
- ⑥ M4 x 16 mm (x4)
- ⑦ M4 x 16 mm (x4)
- ⑧ M3 x 8 mm (x4)
- ⑨ *Front panel kit
- ⑩ *19" Mounting kit

*accessories



METTEC 19"



Part No.	H	D	D1	F1 Front Panel	F2 Front Panel
M 59 20 015	2U	6.59"	6.25"	15.45"	2.64"
M 59 20 025	2U	10.35"	10.18"	15.45"	2.64"
M 59 20 035	2U	14.46"	14.12"	15.45"	2.64"
M 59 30 015	3U	6.59"	6.25"	15.45"	4.37"
M 59 30 025	3U	10.35"	10.18"	15.45"	4.37"
M 59 30 035	3U	14.46"	14.12"	15.45"	4.37"

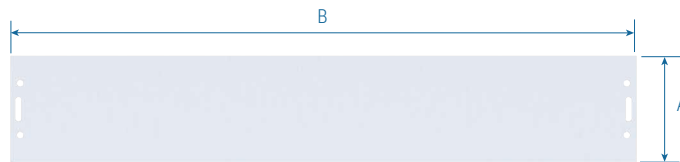
For full 2D drawings and 3D models please see our website.

For front panels and accessories see page 4.



Front Panel Kits

Supply:
 Panel (2 mm matt anodized aluminum)
 2 Trims (ABS, RAL 7035)



Part No.	Version	A	B
M 59 00 020	2U	2.64"	15.45"
M 59 00 030	3U	4.37"	15.45"



Chassis Plate

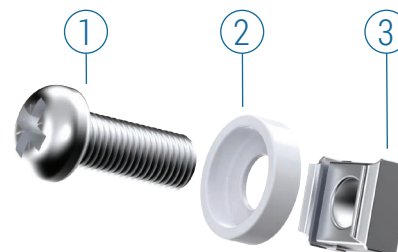
Supply:
 Chassis plate (1.5 mm natural aluminum)



Part No.	Version	A
M 59 00 201	6.59"	5.86"
M 59 00 202	10.35"	9.80"
M 59 00 203	14.46"	13.74"



19" Mounting Kit



Part No.	Supply	Colours
M 60 00 035	①+②+③ x 4	○ RAL 7035 ②
M 59 00 016	①+②+③ x 4	● RAL 9005 ②
M 59 00 018	①+②+③ x 4	● RAL 9005 ①②



METcase™

MANUFACTURER

Metcase Enclosures
A division of:
OKW Enclosures Ltd.
15 Brunel Way
Segensworth East
Fareham, Hampshire
PO15 5TX
United Kingdom

Telephone: +44 (0) 1489 583858
Email: sales@metcase.co.uk
Website: www.metcase.co.uk

© OKW Enclosures Ltd. All rights reserved
Catalogue Edition 1.1 – March 2025.
This catalog will be valid until 31/12/2027.
Subject to technical modifications without notice.
Typographical and other errors do not justify any
claim for damages.
Digital Version: 03/2025e

Presented by:



OKW Enclosures, Inc.
3000 Old Pond Road,
Bridgeville, PA 15017
Phone: (412) 220 9244
Toll Free: (800) 965 9872
Email: sales@metcaseusa.com

www.metcaseusa.com