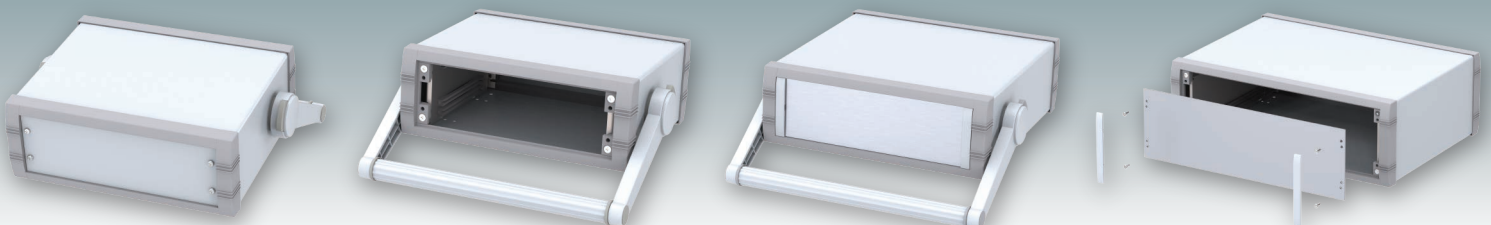
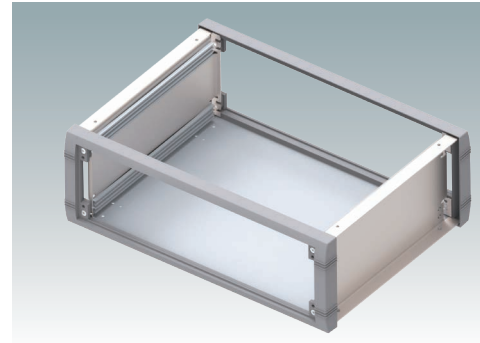
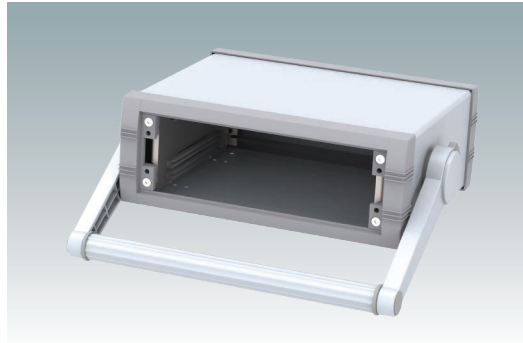
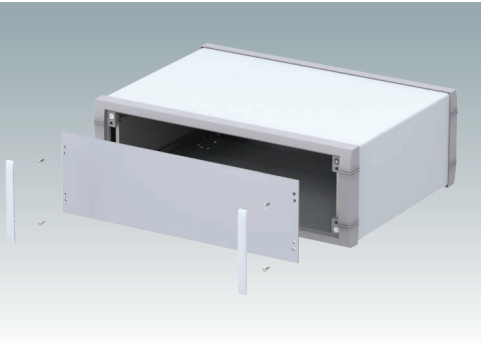
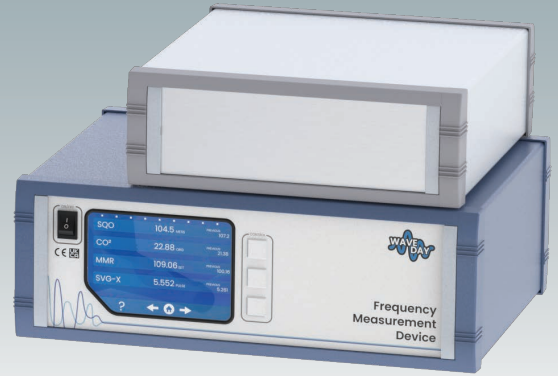


UNIMET-PLUS

Desktop/Portable
Instrument Enclosures



UNIMET-PLUS

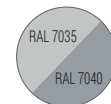


Desktop/Portable Instrument Enclosures

Stylish and versatile instrument enclosures in aluminum. Robust and versatile design in six sizes. With or without a bail arm. Internal chassis with horizontal guide positions for slide-in PCBs. Four snap-in polyamide PCB guides included. Stylish diecast front and rear bezels assembled to the fabricated aluminum case body. Removable rear panel. Four non-slip rubber feet included. Order your own fully customized version.

Standard colors

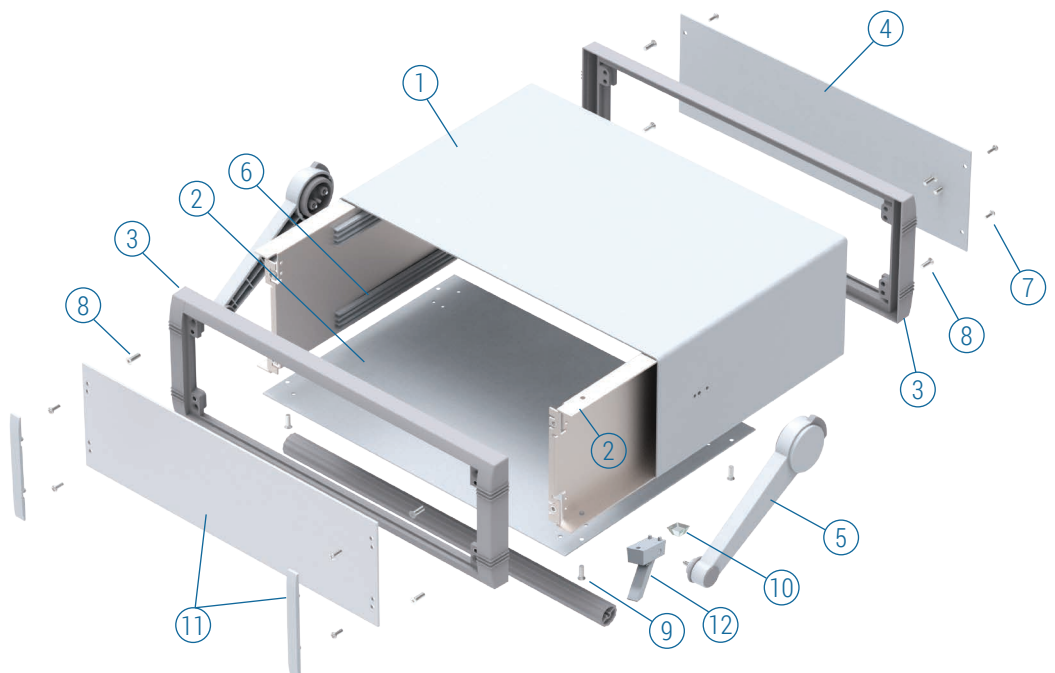
Light gray RAL 7035.
Window gray RAL 7040.



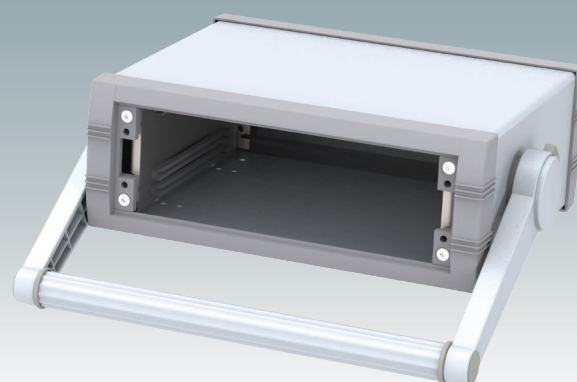
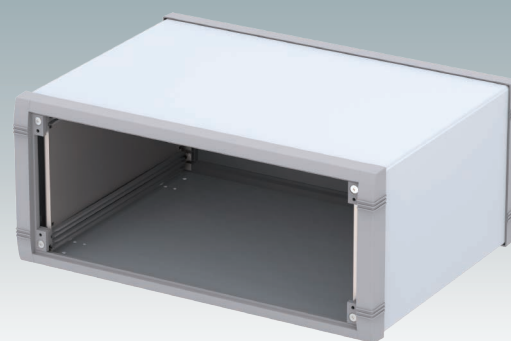
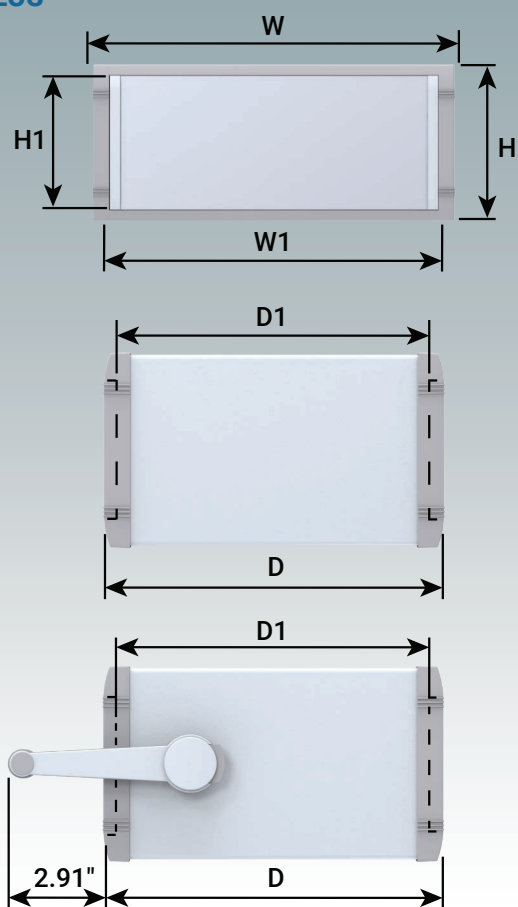
Supply

- ① Top cover
- ② Base/chassis
- ③ Front bezel (x2)
- ④ Rear panel
- ⑤ Bail Arm
- ⑥ PCB guides (x4)
- ⑦ M3 x 10 mm (x8)
- ⑧ M4 x 16 mm (x4/8)
- ⑨ M3 x 6 mm (x4)
- ⑩ Rubber foot (x4)
- ⑪ *Front panel kit
- ⑫ *ABS feet

*accessories



UNIMET-PLUS



VERSION H

WITHOUT BAIL ARM

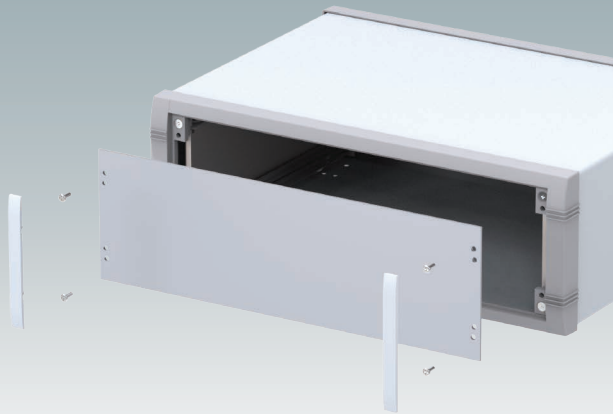
Part No.	Version	H	W	D	D1	W1 Front Panel	H1 Front Panel	PCB Width (max.)	PCB Depth (max.)	PCB Thickness
M 56 23 015	1	1.96"	9.05"	7.59"	7.15"	7.85"	1.32"	7.24"	7.14"	0.06"
M 56 23 115	2	3.34"	9.05"	7.59"	7.15"	7.85"	1.32"	7.24"	7.14"	0.06"
M 56 25 115	3	3.34"	9.84"	10.35"	9.90"	8.64"	2.56"	8.03"	9.90"	0.06"
M 56 35 215	4	4.72"	13.77"	10.35"	9.90"	12.58"	3.94"	11.96"	9.90"	0.06"
M 56 25 315	5	5.90"	9.84"	10.35"	9.90"	8.64"	5.12"	8.03"	9.90"	0.06"
M 56 35 315	6	5.90"	13.77"	10.35"	9.90"	12.58"	5.12"	11.96"	9.90"	0.06"

WITH BAIL ARM

Part No.	Version	H	W	D	D1	W1 Front Panel	H1 Front Panel	PCB Width (max.)	PCB Depth (max.)	PCB Thickness
M 56 23 035	1H	1.96"	9.05"	7.59"	7.15"	7.85"	1.32"	7.24"	7.14"	0.06"
M 56 23 135	2H	3.34"	9.05"	7.59"	7.15"	7.85"	1.32"	7.24"	7.14"	0.06"
M 56 25 135	3H	3.34"	9.84"	10.35"	9.90"	8.64"	2.56"	8.03"	9.90"	0.06"
M 56 35 235	4H	4.72"	13.77"	10.35"	9.90"	12.58"	3.94"	11.96"	9.90"	0.06"
M 56 25 335	5H	5.90"	9.84"	10.35"	9.90"	8.64"	5.12"	8.03"	9.90"	0.06"
M 56 35 335	6H	5.90"	13.77"	10.35"	9.90"	12.58"	5.12"	11.96"	9.90"	0.06"

For full 2D drawings and 3D models please see our website.

For front panels and accessories see page 4.



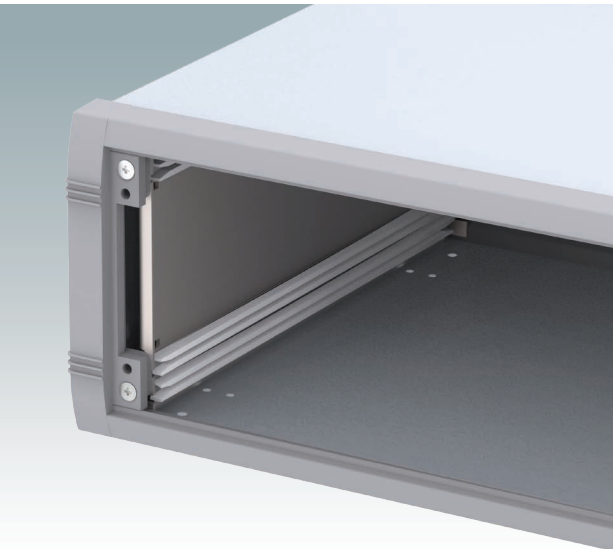
Front Panel Kits

Supply:

Panel (2 mm matt anodised aluminum)
2 Trims (ABS, RAL 7035)

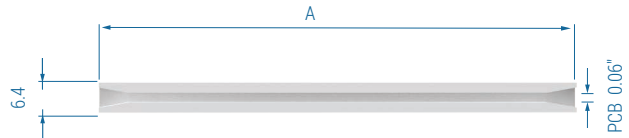


Part No.	Version	A	B
M 57 00 607	1/1H	1.32"	7.85"
M 57 00 608	2/2H	2.56"	7.85"
M 57 00 613	3/3H	2.56"	8.64"
M 57 00 620	4/4H	3.94"	12.57"
M 57 00 616	5/5H	5.12"	8.64"
M 57 00 621	6/6H	5.12"	12.57"

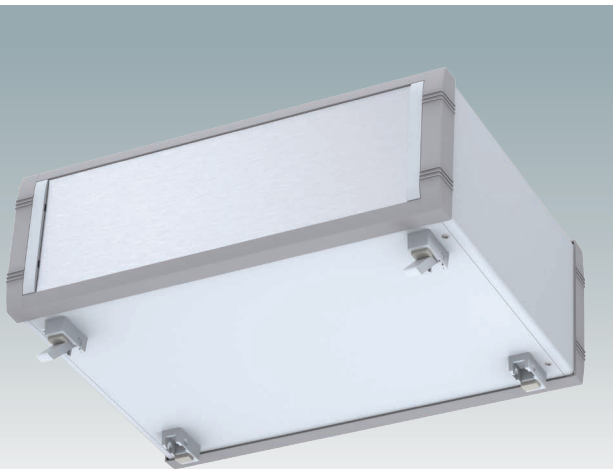


PCB Guides

Four PCB guides are supplied with each case as standard.
You can order additional guides here.



Part No.	A	Version
M 57 00 203	4.00"	1/1H/2/2H
M 57 00 202	8.50"	3/3H/4/4H/5/5H/6/6H

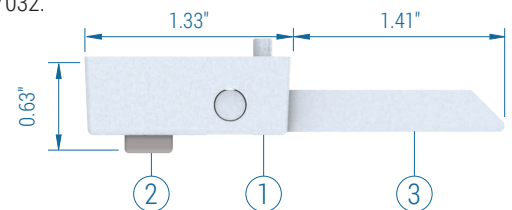


Feet Kits

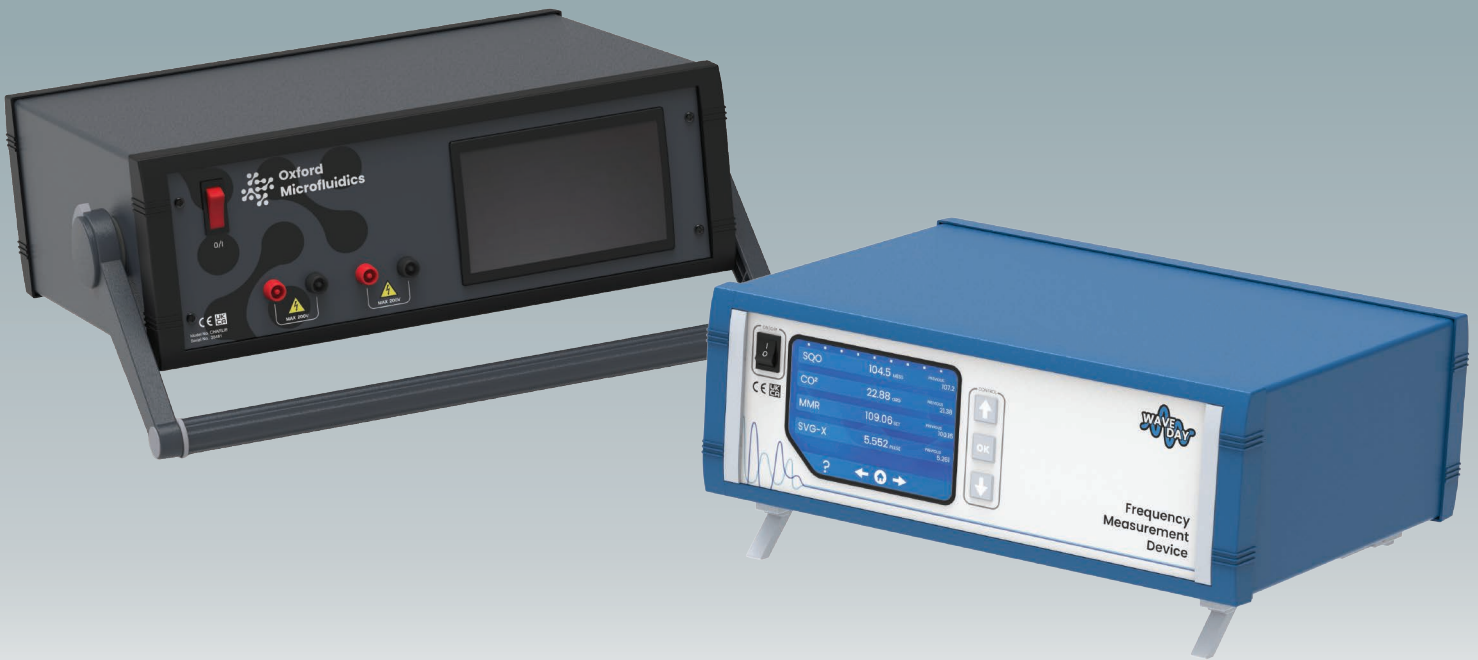
Optional molded feet which replace the four standard rubber feet supplied with the enclosures. They are assembled to pre-punched holes in the UNIMET-PLUS base panels with self-tapping screws (included).

Material:

Feet and legs: ABS, light gray RAL 7035.
Non-slip pads: TPE, pebble gray RAL 7032.



Part No.	Version	Supply
M 56 00 015	Without tilt legs	①+② x 4
M 56 00 045	With tilt legs	①+② x 4 + ③ x 2



Order your own customized version

We can supply the UNIMET-PLUS enclosures fully customized to your individual technical specifications.

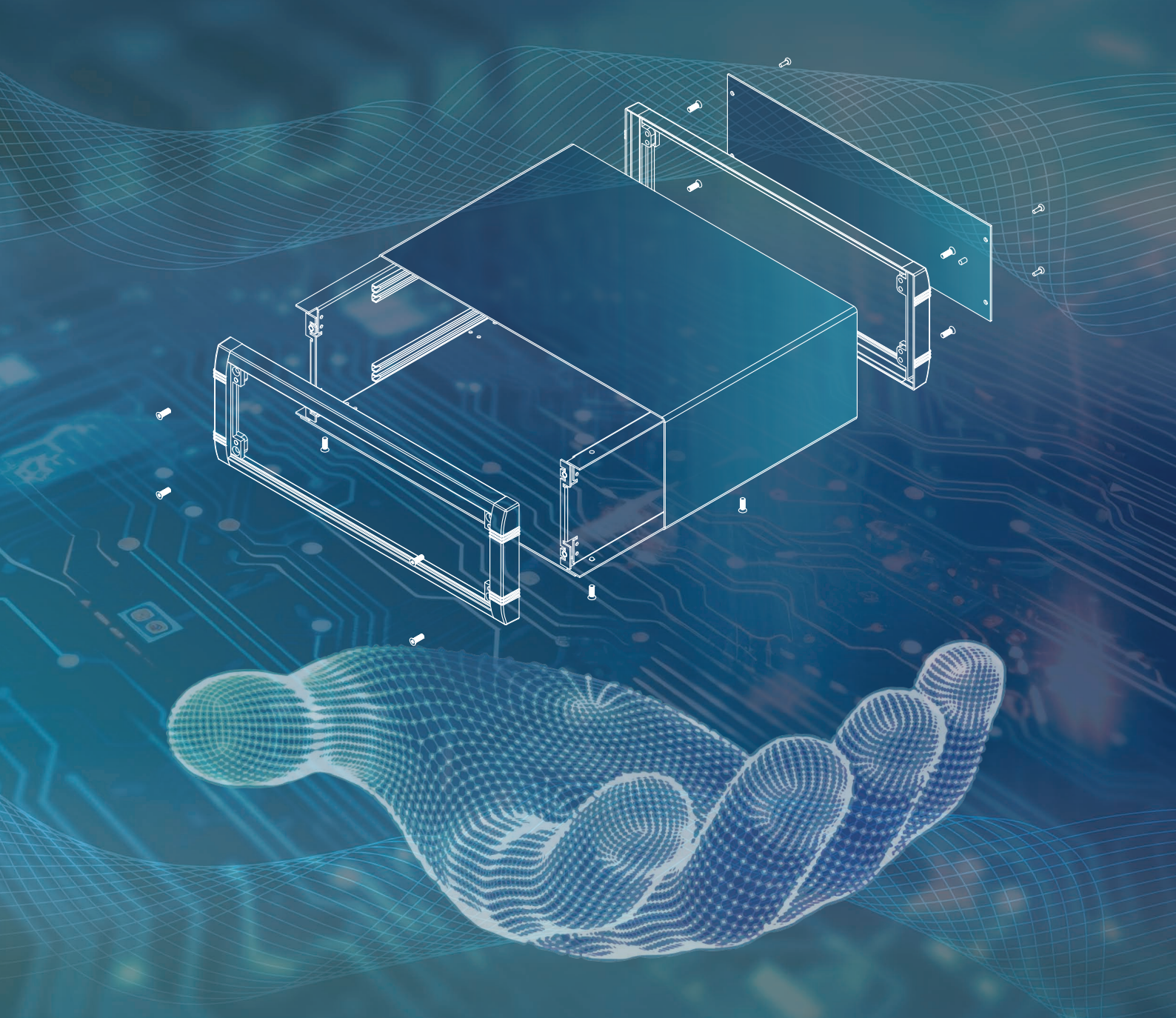
All external dimensions – height, width and depth – can be modified to ensure your PCB assemblies and equipment will fit exactly.

The enclosures and front panels can be machined with holes and cutouts for fitting displays, keypads, HMI touch panels, control buttons and connections.

Other services include adding inserts and screw bosses; custom colors and finishes; digital and silk-screen printing and engraving.

Having a flexible manufacturing system allows us to offer competitive prices even for small quantities. Do not hesitate to ask us for a quotation.

Our sales team will be very happy to discuss your requirements and help you specify your UNIMET-PLUS enclosures exactly as you need them.



METcase™

MANUFACTURER

Metcase Enclosures
A division of:
OKW Enclosures Ltd.
15 Brunel Way
Segensworth East
Fareham, Hampshire
PO15 5TX
United Kingdom

Telephone: +44 (0) 1489 583858
Email: sales@metcase.co.uk
Website: www.metcase.co.uk

© OKW Enclosures Ltd. All rights reserved
Catalog Edition 1.1 – January 2025.
This catalog will be valid until 31/12/2027.
Subject to technical modifications without notice.
Typographical and other errors do not justify any
claim for damages.
Digital Version: 01/2025e

Presented by:



OKW Enclosures, Inc.
3000 Old Pond Road,
Bridgeville, PA 15017
Phone: (412) 220 9244
Toll Free: (800) 965 9872
Email: sales@metcaseusa.com

www.metcaseusa.com